

**MYE ENTERTAINMENT  
MONITOR STAND**

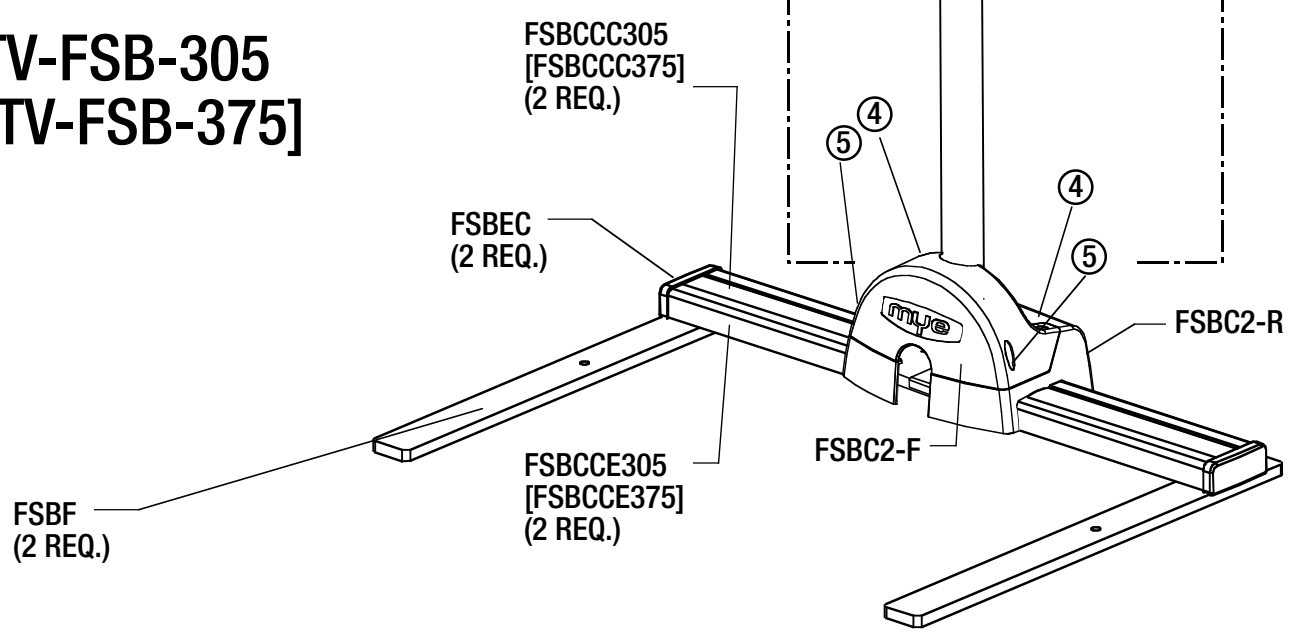
**"FLOOR STAND UPRIGHT/TALL"  
HARDWARE**

Pan Head Phillips Machine Screws

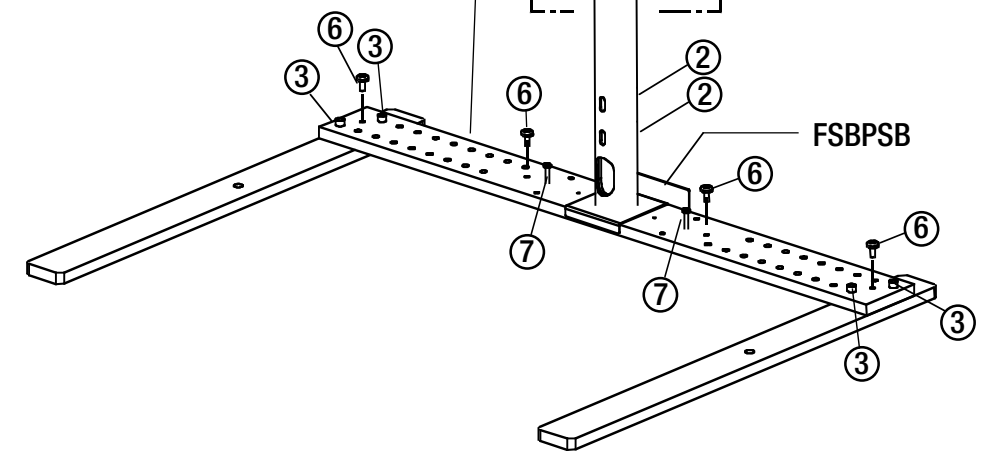
**(1)** 1/4-20 x 1/4" SHCS (6) req

**MTV-FS1  
[MTV-FS1T]**

**MTV-FSB-305  
[MTV-FSB-375]**



**FSB305W:**  
consists of FSBVT-A and FSBC305A  
**FSB375W:**  
consists of FSBVT-A and FSBC375A



**"BASE 30.5/37.5 INCH"  
HARDWARE**

Socket Head Cap Screws

**(2)** 1/4-20 x 1/4" (2) req

**(3)** 1/4-20 x 7/8" (4) req

**(4)** 1/4-20 x 2-3/4" (2) req

**(5)** 1/4-20 x 1-3/8" (2) req

Pan Head Phillips Machine Screws

**(6)** 1/4-20 x 5/8" (4) req

**(7)** #8-32 x 1" (2) req